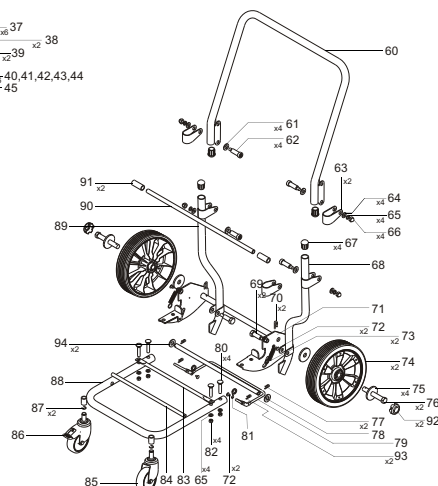
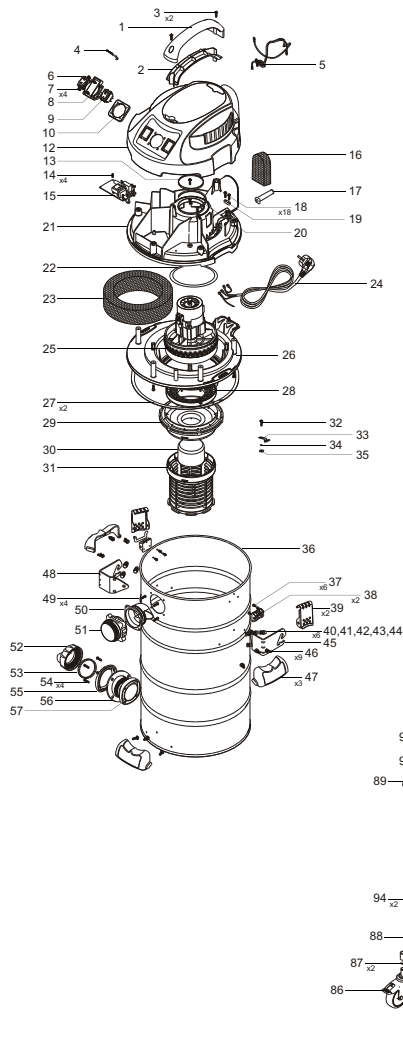


POS. No.	Ref. No.	Description	POS. No.	Ref. No.	Description
----------	----------	-------------	----------	----------	-------------

- 1 183299 Lower Handle
- 2 183300 Upper Handle
- 3 183345 Screw T3.9X16F
- 4 183298 Lead
- 5 183301 Capacitor&Inductor
- 6 183297 Function switch
- 7 183344 Screw T4.2X10F
- 8 183296 Synchro Socket
- 9 183295 Switch
- 10 183294 Socket Press Board
- 12 183293 Upper Cover
- 13 183305 Damping Bar
- 14 183343 Screw T2.9X12F
- 15 183292 PCB
- 16 183307 Sponge
- 17 183308 Cable Sleeve
- 18 183346 Screw T3.9X16F
- 19 183309 Cord Clamp
- 20 183306 Seal
- 21 183291 Middle Cover
- 22 183290 Seal Ring
- 23 183289 Sponge
- 24 183310 Power Cable
- 25 183288 Motor Set
- 26 183287 Lower Cover
- 27 183286 Seal (For Lower Cover)
- 28 183285 Seal Ring
- 29 183284 Tray
- 30 183283 Floater Cup
- 31 183282 Filter Basket
- 32 183347 Screw M4X32
- 33 183311 Grounding connector
- 34 183348 Washer
- 35 183349 Nut M4
- 36 183312 Stainless Steel Tank

- 37 183350 Screw T3.5X8F
- 38 183313 Agraffe Seat
- 39 183314 Agraffe Set
- 40 183351 Bolt M6X12
- 41 183352 Washer
- 42 183353 Washer 6
- 43 183354 Washer 6
- 44 183355 Nut M6
- 45 183315 Tank Support(Right)
- 46 183356 Screw T4.8X16F
- 47 183316 Handle
- 48 183324 Tank Support(Left)
- 49 183358 Screw T3.9X14F
- 50 183323 Suction Press Board
- 51 183322 Suction Seat
- 52 183321 Waterspout Cover
- 53 183320 Seal Ring
- 54 183357 Screw T4.2X16F
- 55 183319 Drain Inlet Base
- 56 183318 Drain Inlet Seal Ring
- 57 183317 Waterspout
- 60 183325 Handle Of Barrow
- 61 183360 Washer 10
- 62 183359 M8X29
- 63 183326 Bracket
- 64 183361 Washer 8
- 65 183362 Washer 8
- 66 183363 Nut M8
- 67 183327 Stoppie
- 68 183328 Stay Bar (Right)
- 69 183365 Screw
- 70 183364 Pin:"R"
- 71 183329 Subassembly of Handle
- 72 183366 Rivet
- 73 183332 Reed
- 74 183330 Big Wheel
- 75 183367 Washer12
- 76 183331 Axis Of Wheel
- 77 183368 Pin:"R"
- 78 183333 Stay Bar Of Orientation
- 79 183334 Service Brake
- 80 183369 Bolt M8X40
- 81 183335 Staff
- 82 183370 Nut M8
- 83 183336 Knighthead
- 84 183338 Knighthead
- 85 183337 Castor Without Brake
- 86 183339 Castor With Brake
- 87 183371 Ring
- 88 183340 Knighthead Of Tank Base
- 89 183463 Stay Bar (Left)
- 90 183341 Staff of Rotation
- 91 183342 Sheath
- 92 183848 Roller cap
- 93 183849 Pin:"R" 1
- 94 183850 Washer



183281

183280